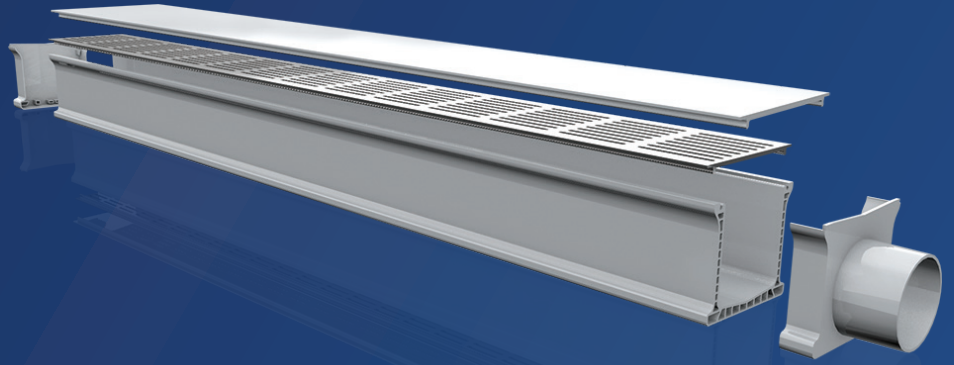




ULTRA
CORPORATION PTY. LTD.

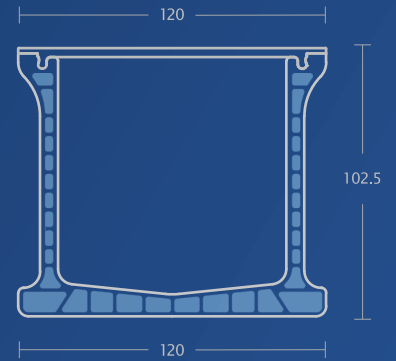


ULTRA DRAIN PLUS 100

Horizontal Top Standard / Honeycomb on request

The UDP100 is equally suitable for driveways, wineries, tennis courts, pool and landscaping projects but with a water flow of 825 l/m means it can be used where removal of more water is necessary.

The Ultra Drain Alloy grating is extruded in 6063A Aluminium which provides a high tensile top with very consistent extruding qualities. This is then marine anodised to give a very highly corrosive resistant product.



Water Flow 825 L/M
Open End Discharge 0.5 Fall to Cesspit

Parts & Fittings



- 1 End Outlet
- 2 Bottom Outlet
- 3 Right Angle Corner
- 4 End Cap
- 5 Joiner
- 6 Side Outlet
- 7 Construction Cover

| WIDTH | | | HEIGHT | PIPE SIZES | |
|-------|-------|--------------|---------|-------------------|------|
| I.D. | O.D. | OVERALL O.D. | | PARTS | O.D. |
| 89mm | 120mm | 120mm | 102.5mm | End & Side Outlet | 68mm |
| | | | | Bottom Outlet | 68mm |

